

ACP9033 C+L Band ASE Broadband Light Source



ACP9033 C+L Band Broadband Light Source is based on ASE technology, and provides significantly more power density into a single-mode fiber than a regular LED and is a nearly 90 nm wide broadband light source. It offers superior performances for testing of DWDM/CWDM components, AWG & PLC components, optical amplifiers, optical filters and other general purpose fiber optical test and measurement applications. It is designed especially for volume DWDM/CWDM filter and component production line applications.

ACP9033 C+L Band ASE Broadband Light Source is a high Performance, small dimension, fast startup, affordable optical broadband light source. It provides 1525 ~ 1610nm C+L band broadband light output.

PERFORMANCE SPECIFICATIONS

Parameter	Specifications
Model #	ACP9033
Operation Wavelength	1525 ~ 1610nm
Bandwidth (-10dB)	≥85nm
Total Output Power	>200mW
Output Power Adjustable Range	10dB (by the knob)
Spectral Density	≥ -15dB/nm
Connector Type	FC/APC (Other Adaptor can be Customized)
Spectral Density Stability within 15mins	<±0.02dB*
Output Power Stability within 15mins	<±0.05dB*
Output Power Stability within 8hrs	≤±0.1dB*
Operation Model	CW
Fiber Type	Single Mode SFM-28
Operating Temperature	0 to +40°C
Storage Temperature	- 30 to +80°C
Power Supply	AC 110 ~ 220V ±10%, 50Hz, 20W
Package Dimensions (HxWxD)	112mm x 260mm x 280mm
Weight	5.0kg

*All spectral and power stability test is base on temperature 25 Degree, temperature tolerance +/- 2 degree, power on 40 minutes , CW operation mode condition.

FEATURES

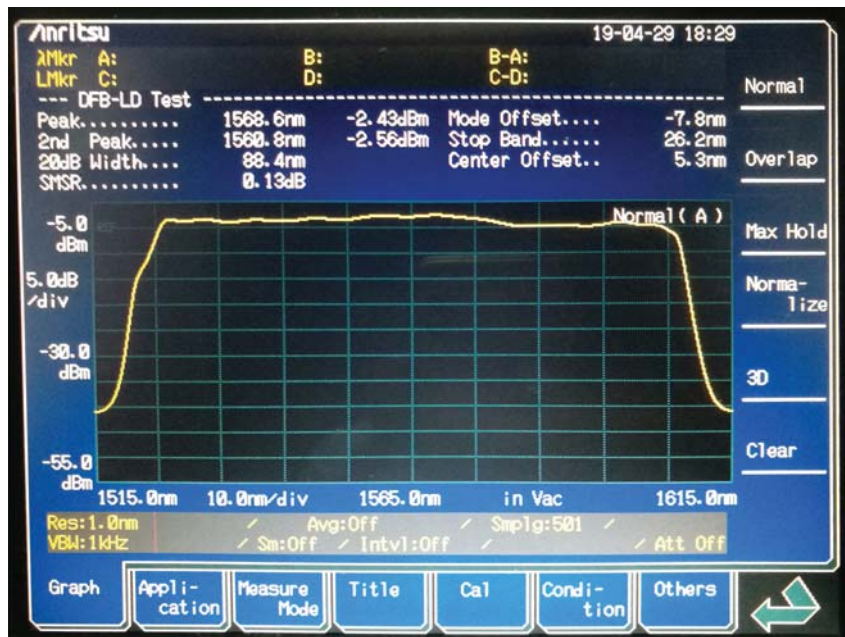
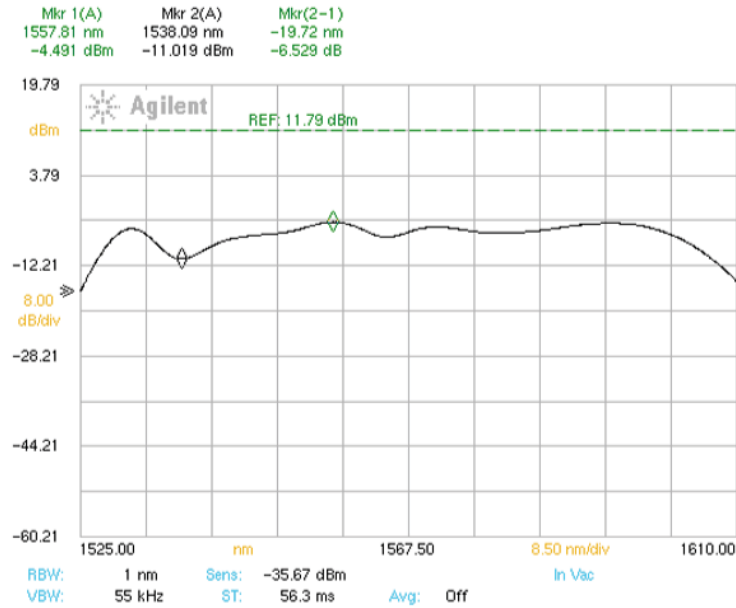
- Broadband Light Output
- High Spectral Density
- Quick Startup
- Small Dimension
- Affordable Price

APPLICATION

- DWDM/CWDM Filters and Components Test
- Fiber Optic Parts and Components Spectrum Analysis
- Optical Coherence Tomography (OCT)
- Fiber Sensing, Fiber Cable Test
- Fiber Optical, Telcom R&D Lab Test

ACP9033 C+L Band ASE Broadband Laser Source

TYPICAL SPECTRUM:

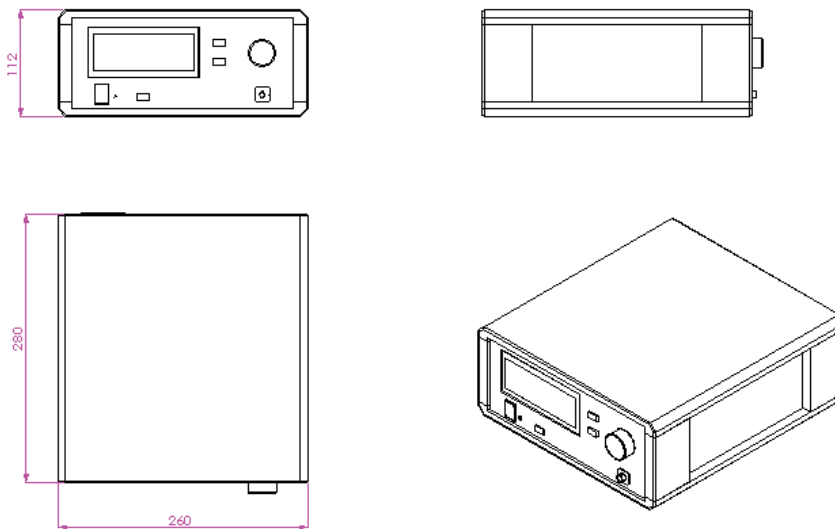


One ACP9033 C+L Real Product Spectrum

ACP9033 C+L Band ASE Broadband Laser Source

MECHANICAL DIMENSIONS

112mm(H) x 260mm(W) x 280mm(D)



AC PHOTONICS TEST AND MEASUREMENT SUPPORT, SERVICES AND ASSISTANCE

AC Photonics provides high performance, high value, low cost, affordable test and measurement instrument solutions for our customers. Our extensive support resources can help you choose the right AC Photonics' products for your applications and apply them successfully. Every instrument and system we sell has global warranty. All of our instruments have 18 months factory warranty.

OUR PROMISE

All of AC Photonics test and measurement instruments and systems will meet their advertised performances and functionalities. When you select AC Photonics' products, we can verify whether they fit in your applications, help with their setup/operation, and provide more assistance in special applications.